

WE SELL THE
**COMPLETE
PACKAGE**
FOR YOUR SIGN
& STRUCTURAL
ADHESIVE NEEDS

- Abrasives
- Adhesives
- Dispensing Guns
- Sealants
- Silicones

- Specialty Chemicals
Tapes
- No-Drill Bonding
Fasteners™
- CounterBalance™

Order online at www.chemical-concepts.com or call 1.800.220.1966



Table of Contents



Chemical Concepts

Our customers stick with us.

MI Male Bolt Studs6-8

F2 Female Collars 9-11

FI Hex Nuts12-14

Special15



Why Buy?



Buy from the Adhesive Innovators not the Immitators!

Rely on the Adhesive Experts... with answers to your questions based on over 40 years of experience in the stone fabrication industry.



Members of

WHY BUY YOUR ADHESIVES AND SUPPLIES FROM CHEMICAL CONCEPTS?

Our experience is unlike any other general distributor. We focus on adhesives, adhesive systems, and adhesive applications. Using adhesives successfully requires more than just buying the right tube of glue. Proper surface preparation, application methods, fixturing, etc, will determine the difference between 100% success or application failure. We deliver everything you need to get the job done right, including free consultation on special applications.

The track record of Chemical Concepts results from over 40 years of servicing industry markets. Not only do we know adhesives, we know your requirements.

Our stock is fresh. We order more adhesives in one month than a general distributor orders in a year. Plus we have industrial refrigeration in our warehouse to ensure peak product freshness. Our products will never be out of date or improperly stored.

Rely on the Adhesive Experts—with answers to your questions based on our 40+ years of experience servicing fabrication markets.

Top Represented Manufacturers. Learn why our customers continue to stick with us!





Bonding Fasteners

Chem-Set™

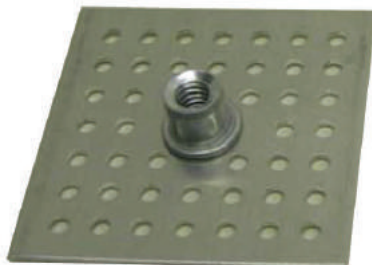
No Drill FASTENERS

No drilling or welding! Mounts using structural adhesives



Available in stainless steel, aluminum or zinc plated

Please see our website for available sizes and dimensions



Use **Chem-Set™ No Drill** Bonding Fastener to replace rivets, tapes and welds.

- Bonds with metals, plastics, wood, composites, stone.
- Available in Zinc plated, stainless steel, Trivalent Zinc Coatings as well as Nano Plating on Mild Steel Parts
- No drilling or tapping



Applications: *Mounting, Wall Attachments, Under Mount Supports. Creative uses still being explored.*



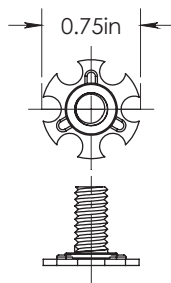
Bonding Fasteners

TYPE M1 MALE BOLT STUDS

Available in both imperial and metric threads in a variety of lengths.

Available in plated steel and stainless steel
(plating meets European standards)

Type: M1-RB19

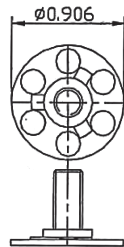


M1-B19 (19MM / 0.75") ROUND

THREAD SIZE	COMMON LENGTHS			
1/4 UNC	.75"	1"	1.5"	2"
10/32 UNF	.75"	1"	1.25"	2"

*Additional Threads and Thread Lengths Available

Type: M1-B23

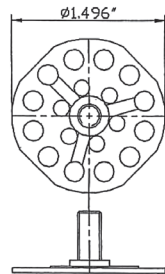


M1-B23 (23MM / 0.91") ROUND

THREAD SIZE	COMMON LENGTHS			
1/4 UNC	.75"	1"	1.5"	2"
10/32 UNF	.75"	1"	1.25"	2"

*Additional Threads and Thread Lengths Available

Type: M1-B38

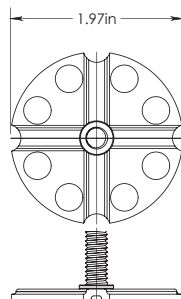


M1-B38 (38MM / 1.50") ROUND

THREAD SIZE	COMMON LENGTHS							
1/4 UNC	.675"	.75"	1"	1.25"	1.5"	2"	2.5"	3"
10/32 UNF	.675"	.75"	1"	1.25"	2"			
3/8 UNC	1.5"	2"	2.5"	3"				

*Additional Threads and Thread Lengths Available

Type: M1-B50



M1-B50 (50MM / 1.97") ROUND

THREAD SIZE	COMMON LENGTHS							
1/4 UNC	.675"	.75"	1"	1.25"	1.5"	2"	2.5"	3"
10/32 UNF	.675"	.75"	1"	1.25"	2"			
3/8 UNC	1.5"	2"	2.5"	3"				

*Additional Threads and Thread Lengths Available

Most popular bonding fasteners and sizes illustrated. See website for our complete line of fasteners @ Chemical-concepts.com



Bonding Fasteners

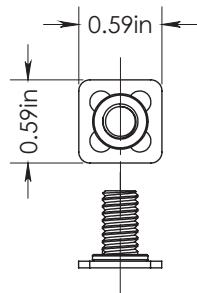
TYPE M1 MALE BOLT STUDS

Available in both imperial and metric threads in a variety of lengths.

Available in plated steel and stainless steel
(plating meets European standards)



Type: M1-SB15



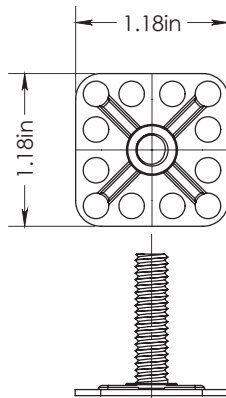
M1-SB15 (15MM / 0.59") SQUARE

THREAD SIZE	COMMON LENGTHS			
1/4 UNC	.75"	1"	1.5"	2"
10/32 UNF	.75"	1"	1.25"	2"

*Additional Threads and Thread Lengths Available



Type: M1-SB30



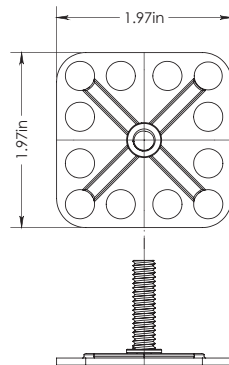
M1-SB30 (30MM / 1.18") SQUARE

THREAD SIZE	COMMON LENGTHS			
1/4 UNC	.75"	1"	1.5"	2"
10/32 UNF	.75"	1"	1.25"	2"

*Additional Threads and Thread Lengths Available



Type: M1-SB50



M1-SB50 (50MM / 1.97") SQUARE

THREAD SIZE	COMMON LENGTHS			
1/4 UNC	.75"	1"	1.5"	2"
10/32 UNF	.75"	1"	1.25"	2"

*Additional Threads and Thread Lengths Available

Most popular bonding fasteners and sizes illustrated. See website for our complete line of fasteners @ Chemical-concepts.com

Bonding Fasteners

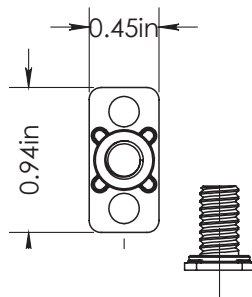
TYPE M1 MALE BOLT STUDS

Available in both imperial and metric threads in a variety of lengths.

Available in plated steel and stainless steel
(plating meets European standards)



Type: M1-T24



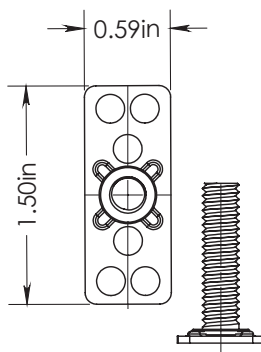
M1-T24 (24MM / 0.94") RECTANGULAR

THREAD SIZE	COMMON LENGTHS			
1/4 UNC	.75"	1"	1.5"	2"
10/32 UNF	.75"	1"	1.25"	2"

*Additional Threads and Thread Lengths Available



Type: M1-T38



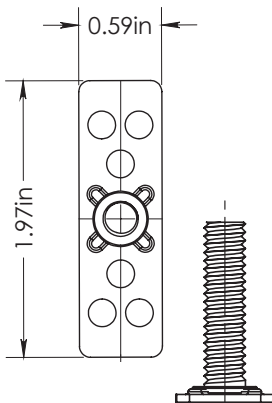
M1-T38 (38MM / 1.50") RECTANGULAR

THREAD SIZE	COMMON LENGTHS			
1/4 UNC	.75"	1"	1.5"	2"
10/32 UNF	.75"	1"	1.25"	2"

*Additional Threads and Thread Lengths Available



Type: M1-T50



M1-T50 (50MM / 1.97") RECTANGULAR

THREAD SIZE	COMMON LENGTHS			
1/4 UNC	.75"	1"	1.5"	2"
10/32 UNF	.75"	1"	1.25"	2"

*Additional Threads and Thread Lengths Available

Most popular bonding fasteners and sizes illustrated. See website for our complete line of fasteners @ Chemical-concepts.com

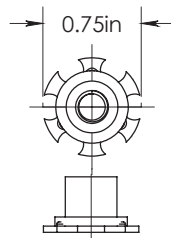


Bonding Fasteners

TYPE F2 FEMALE COLLARS

F2 - Female Threaded Collars of various lengths mounted on a variety of baseplates.
Available in both imperial and metric threads.

Type: F2-RB19

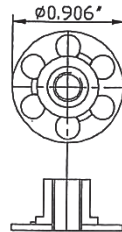


F2-B19 (19MM / 0.75") ROUND

THREAD SIZE	COMMON LENGTHS	
1/4 UNC	.375"	.5"

*Additional Threads and Thread Lengths Available

Type: F2-B23

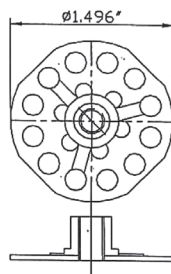


F2-B23 (23MM / 0.91") ROUND

THREAD SIZE	COMMON LENGTHS	
1/4 UNC	.375"	.5"

*Additional Threads and Thread Lengths Available

Type: F2-B38

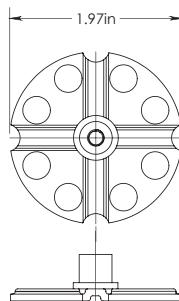


F2-B38 (38MM / 1.50") ROUND

THREAD SIZE	COMMON LENGTHS			
1/4 UNC	.375"	.5"	.75"	1"
10/32 UNF	.375"	.5"	.75"	1"
3/8 UNC	.375"	.5"	.75"	1"
5/16 UNC	.375"	.5"	.75"	1"

*Additional Threads and Thread Lengths Available

Type: F2-RB50



F2-B50 (50MM / 1.97") ROUND

THREAD SIZE	COMMON LENGTHS			
1/4 UNC	.375"	.5"	.75"	1"
10/32 UNF	.375"	.5"	.75"	1"
3/8 UNC	.375"	.5"	.75"	1"
5/16 UNC	.375"	.5"	.75"	1"

*Additional Threads and Thread Lengths Available

Most popular bonding fasteners and sizes illustrated. See website for our complete line of fasteners @ Chemical-concepts.com



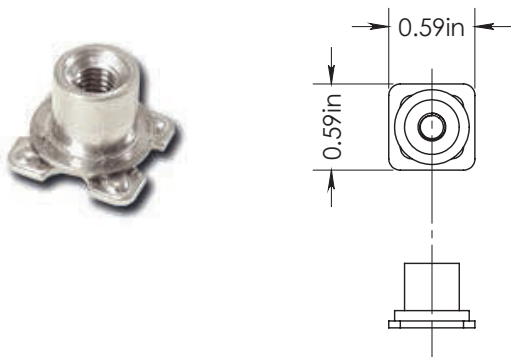
Bonding Fasteners

TYPE F2 FEMALE COLLARS

F2 - Female Threaded Collars of various lengths mounted on a variety of baseplates.

Available in both imperial and metric threads.

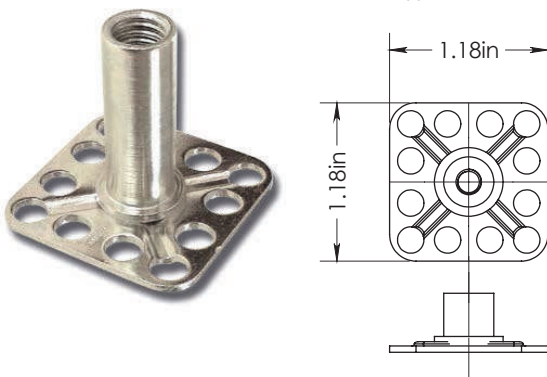
Type: F2-SB15



F2-SB15 (15MM / 0.59") SQUARE				
THREAD SIZE	COMMON LENGTHS			
1/4 UNC	.375"	.5"	.75"	1"
10/32 UNF	.375"	.5"	.75"	1"

*Additional Threads and Thread Lengths Available

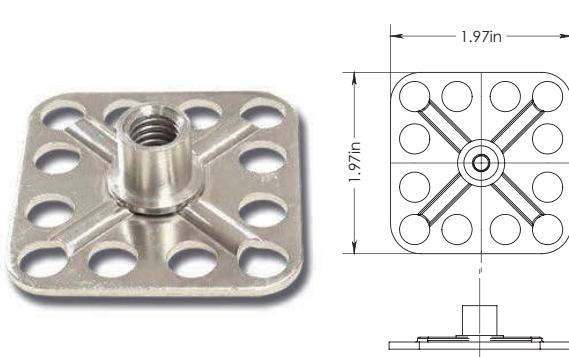
Type: F2-SB30



F2-SB30 (38MM / 1.50") SQUARE				
THREAD SIZE	COMMON LENGTHS			
1/4 UNC	.375"	.5"	.75"	1"
10/32 UNF	.375"	.5"	.75"	1"

*Additional Threads and Thread Lengths Available

Type: F2-SB50



F2-SB50 (50MM / 1.97") SQUARE				
THREAD SIZE	COMMON LENGTHS			
1/4 UNC	.375"	.5"	.75"	1"
10/32 UNF	.375"	.5"	.75"	1"
3/8 UNC	.375"	.5"	.75"	1"
5/16 UNC	.375"	.5"	.75"	1"

*Additional Threads and Thread Lengths Available

Most popular bonding fasteners and sizes illustrated. See website for our complete line of fasteners @ Chemical-concepts.com

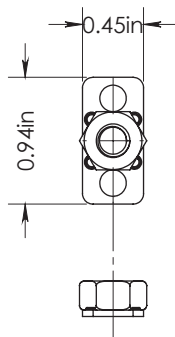


Bonding Fasteners

TYPE F2 FEMALE COLLARS

F2 - Female Threaded Collars of various lengths mounted on a variety of baseplates.
Available in both imperial and metric threads.

Type: F1-T24

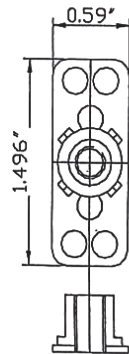


F2-T24 (15MM / 0.59") RECTANGLE

THREAD SIZE	COMMON LENGTHS			
1/4 UNC	.375"	.5"	.75"	1"
10/32 UNF	.375"	.5"	.75"	1"

*Additional Threads and Thread Lengths Available

Type: F2-T38

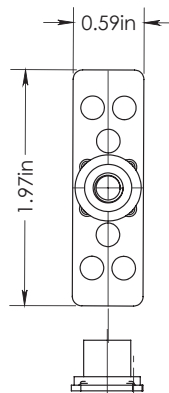
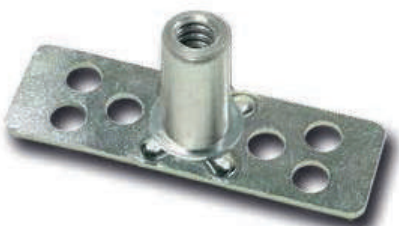


F2-T38 (38MMX15MM/ 1.50"X.59") RECTANGLE

THREAD SIZE	COMMON LENGTHS			
1/4 UNC	.375"	.5"	.75"	1"
10/32 UNF	.375"	.5"	.75"	1"

*Additional Threads and Thread Lengths Available

Type: F2-T50



F2-T50 (50MM / 1.97") RECTANGLE

THREAD SIZE	COMMON LENGTHS			
1/4 UNC	.375"	.5"	.75"	1"
10/32 UNF	.375"	.5"	.75"	1"

*Additional Threads and Thread Lengths Available

Most popular bonding fasteners and sizes illustrated. See website for our complete line of fasteners @ Chemical-concepts.com

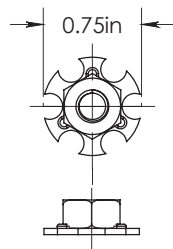


Bonding Fasteners

TYPE F1 HEX NUTS

F1 - Female Hex Nuts securely mounted on a variety of perforated baseplates.
Available in both Inch and metric threads.

Type: F1-RB19



F1-B19 (19MM / 0.75") ROUND

THREAD SIZE

- 1/4 UNC
- 5/16 UNC

*Additional Threads Available

Type: F1-B23



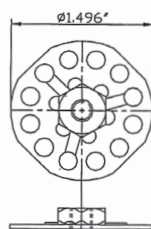
F1-B23 (23MM / 0.91") ROUND

THREAD SIZE

- 1/4 UNC
- 5/16 UNC

*Additional Threads Available

Type: F1-B38



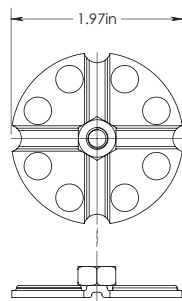
F1-B38 (38MM / 1.50") ROUND

THREAD SIZE

- 1/2 UNC
- 1/4 UNC
- 10/32 UNF
- 3/8 UNC
- 5/16 UNC

*Additional Threads Available

Type: F1-RB50



F1-B50 (50MM / 1.97") ROUND

THREAD SIZE

- 1/2 UNC
- 1/4 UNC
- 10/32 UNF
- 3/8 UNC
- 5/16 UNC

*Additional Threads Available

Most popular bonding fasteners and sizes illustrated. See website for our complete line of fasteners @ Chemical-concepts.com



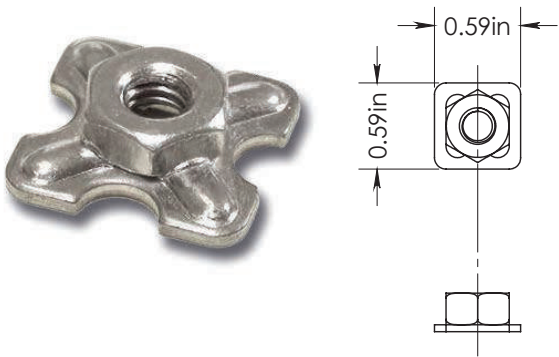
Bonding Fasteners

TYPE F1 HEX NUTS

F1 - Female Hex Nuts securely mounted on a variety of perforated baseplates.

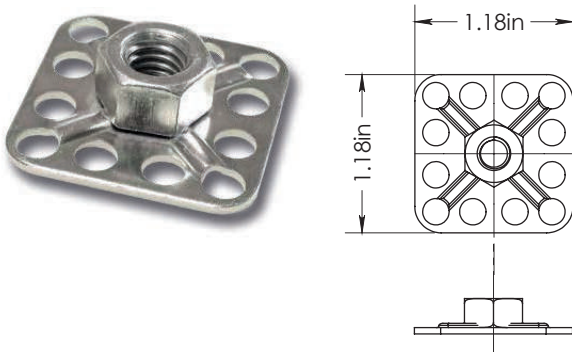
Available in both Inch and metric threads.

Type: F1-SB15



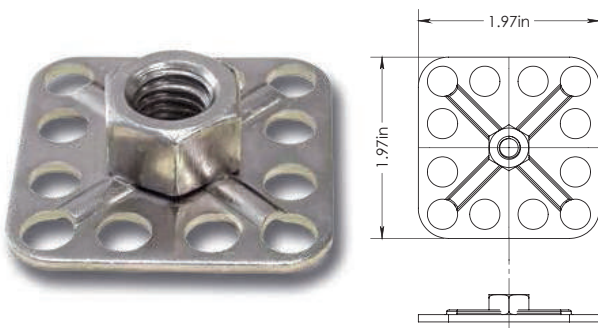
F1-SB15	(15MM / 0.59") SQUARE
THREAD SIZE	
1/4 UNC	
5/16 UNC	
<small>*Additional Threads Available</small>	

Type: F1-SB30



F1-SB30	(30MM / 1.18") SQUARE
THREAD SIZE	
1/4 UNC	
5/16 UNC	
<small>*Additional Threads Available</small>	

Type: F1-SB50



F1-SB50	(50MM / 1.97") SQUARE
THREAD SIZE	
1/2 UNC	
1/4 UNC	
10/32 UNF	
3/8 UNC	
5/16 UNC	
<small>*Additional Threads Available</small>	

Most popular bonding fasteners and sizes illustrated. See website for our complete line of fasteners @ Chemical-concepts.com



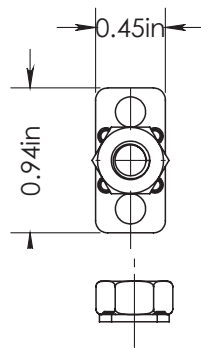
Bonding Fasteners

TYPE F1 HEX NUTS

F1 - Female Hex Nuts securely mounted on a variety of perforated baseplates.

Available in both Inch and metric threads.

Type: F1-T24



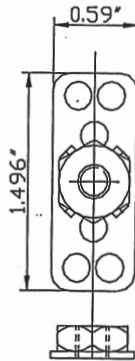
F1-T24 (24MMX15MM/ .94"X.59") RECTANGLE

THREAD SIZE

- 1/4 UNC
- 5/16 UNC

*Additional Threads Available

Type: F1-T38



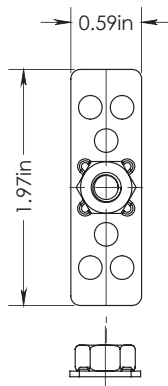
F1-T38 (38MMX15MM/ 1.50"X.59") RECTANGLE

THREAD SIZE

- 1/4 UNC
- 5/16 UNC

*Additional Threads Available

Type: F1-T50



F1-T50 (50MMX15MM/ 1.97"X.59") RECTANGLE

THREAD SIZE

- 1/2 UNC
- 1/4 UNC
- 10/32 UNF
- 3/8 UNC
- 5/16 UNC

*Additional Threads Available

Most popular bonding fasteners and sizes illustrated. See website for our complete line of fasteners @ Chemical-concepts.com

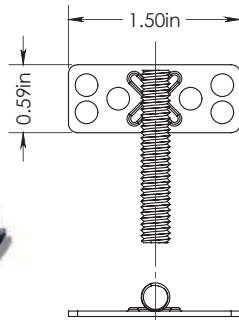


Bonding Fasteners

SPECIALTY ITEMS

Available in both Inch and metric threads.

Type: T38 FLAT

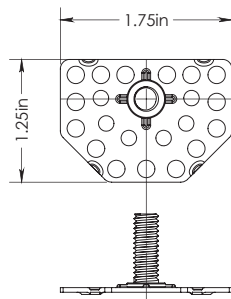


M1-T38 38MM / 0.90") RECTANGULAR

THREAD SIZE	COMMON LENGTHS
1/4 UNC	.675" .75" 1" 1.25" 1.5" 2" 2.5" 3"
10/32 UNF	.675" .75" 1" 1.25" 2"
3/8 UNC	1.5" 2" 2.5" 3"

*Additional Threads and Thread Lengths Available

Type: M1-HP44

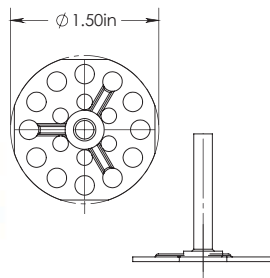


M1-HP44

THREAD SIZE	COMMON LENGTHS
1/4 UNC	.675" .75" 1" 1.25" 1.5" 2" 2.5" 3"
10/32 UNF	.675" .75" 1" 1.25" 2"
3/8 UNC	1.5" 2" 2.5" 3"

*Additional Threads and Thread Lengths Available

Type: M4-RB38

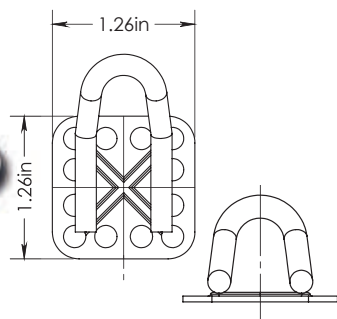


M4-38

THREAD SIZE	COMMON LENGTHS
N/A	N/A

*No Threads Available. For Insulation Only.

Type: M7-SB32



M7-SB32

THREAD SIZE	COMMON LENGTHS
N/A	N/A

*Use As Tie Downs



No-Drill Fasteners

for all industry markets

F1B76
3/8" x 16"

F1B30

F1B38
1/2" x 13"

F1B38
1/4" x 20"

F2B30
3/16" x 16" x 1"

3/8" x 16"

M1B30

M1B30

M1T38
1/4" x 20" x 1"

F2T38
1/4" x 20" x 3/8"

M1B38
3/8" x 16" x 1"

M1B38
3/8" x 16" x 3"

M1B32
10/32" x 3/4"

F2R38
3/8" x 16" x 3/4"

CC732G
Sink Clip

M1B38
10/32" x 1"