



MIXPAC™ 2-Component Dispenser

MIXPAC™ DP 200-70

A pneumatic operated dispenser for cartridges.

Dispense Indicator

To quickly see how much material is remaining in the cartridge

Support Tray

Cartridge snap fit
Easy to exchange and replace

Cartridge Release Button

Conveniently located to provide easiest cartridge ejection

Trigger

Safety feature.
Dispenser will not operate unless cartridge is installed

Counter Balance Mount

To suspend dispenser

Quick Exhaust

To relieve pressure and prevent oozing and dripping

Release Button

Easily accessible with one hand

Regulator:
adjust output force



Product advantages

- Designed specifically for Mixpac C and F System Cartridges
- Cartridge snap fit
- One-hand-operation
- Integrated anti-drip feature

Customer benefits

- Easy cartridge positioning and fixation
- Ergonomic
- High precision and dispensing accuracy
- Can easily be converted into all ratios with proper conversion kits.

Applications



Bonding



Sealing



Repair

Product by range



Pneumatic Dispenser DP 200-70-01

Pneumatic Dispenser DP 200-70-04

Pneumatic Dispenser DP 200-70-10

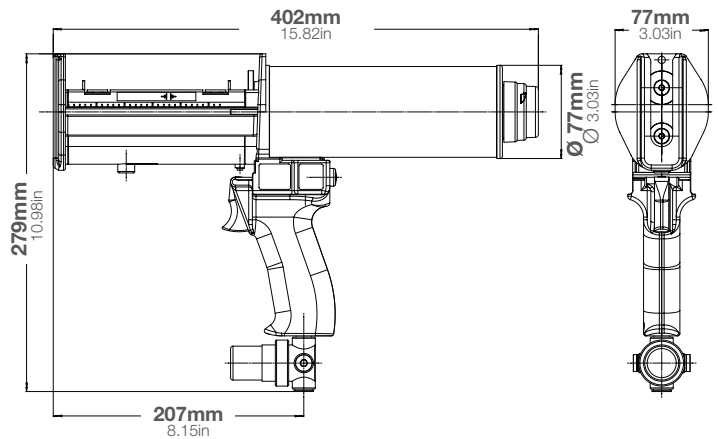
Pneumatic Dispenser DP 400-85-01

The MIXPAC™ DP 200-70 - designed to provide reliable 2-component dispensing.

Specifications

- Weight 1.66kg / 3.66lbs
- Length: 402mm / 15.8in
- Maximum Thrust: 2.2kN
- Tool material: cast aluminium and reinforced nylon
- Cartridge capacity: 200mL
- Cartridge ratio: 1:1/2:1/4:1/10:1
- Air inlet: G 1/4in
- Max operating pressure: 6.8 bar

Dimensions

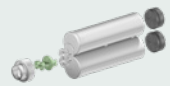


Packaging:

Packed individually 1 units per master carton

| Part number: | Article number: | Ratio | | | |
|--------------|-----------------|-------|-----|-----|------|
| | | 1:1 | 2:1 | 4:1 | 10:1 |
| DP 200-70-01 | 114780 | ✓ | ✓ | | |
| DP 200-70-04 | 114425 | | | ✓ | |
| DP 200-70-10 | 114535 | | | | ✓ |

Matching MIXPAC™ cartridges (C-System and F-System)



200mL / 1:1
PP/PA



200mL / 2:1
PP/PA

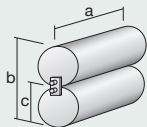


200mL / 4:1
PP/PBT

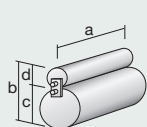


200mL / 10:1
PP/PBT

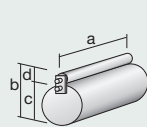
Other matching cartridges



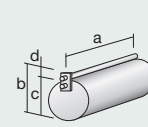
| 1:1 | mm | inch |
|-----|------|--------|
| a | 148 | 5.83 |
| b | 79 | 7.04 |
| c | Ø 37 | Ø 1.46 |



| 2:1 | mm | inch |
|-----|------|--------|
| a | 148 | 5.83 |
| b | 81 | 3.19 |
| c | Ø 50 | Ø 1.97 |
| d | Ø 31 | Ø 1.22 |



| 4:1 | mm | inch |
|-----|------|--------|
| a | 148 | 5.83 |
| b | 77 | 3.03 |
| c | Ø 49 | Ø 1.93 |
| d | Ø 25 | Ø 0.98 |



| 10:1 | mm | inch |
|------|------|--------|
| a | 148 | 5.83 |
| b | 78 | 3.07 |
| c | Ø 55 | Ø 2.17 |
| d | Ø 19 | Ø 0.75 |

Conversion kits

CK 200-70-01, CK 200-70-04, CK 200-70-10, See page 18.

Matching accessories

All accessories are displayed on page 18.