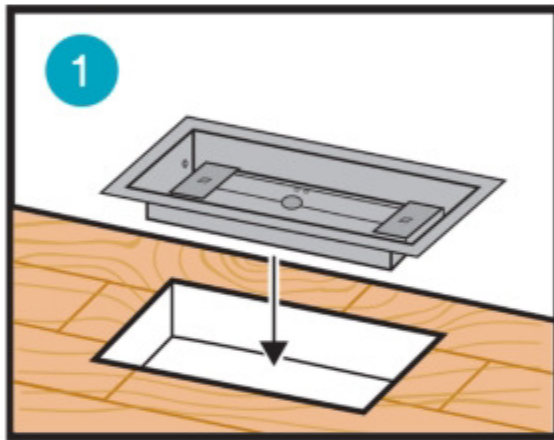


Aria OG Installation

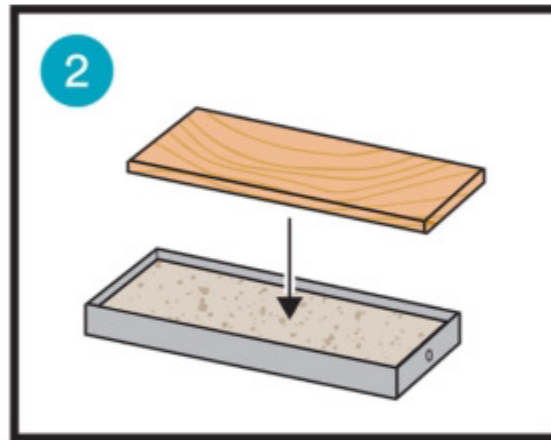
***This installation method is best used for surfaces that are already installed.**

Materials:

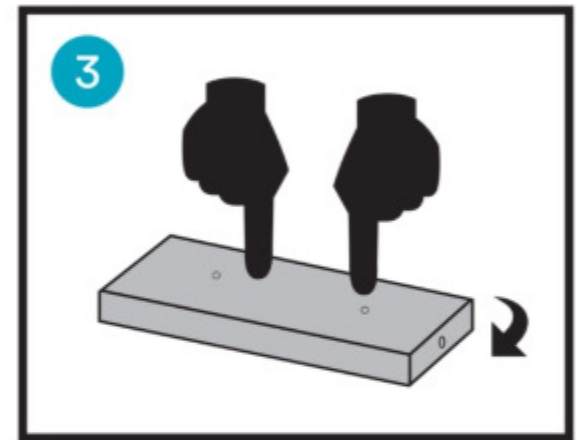
- Pre-cut piece of surface material for tray insert. *Size will vary according to vent sizes.
- Bonding material (will vary for flooring materials).



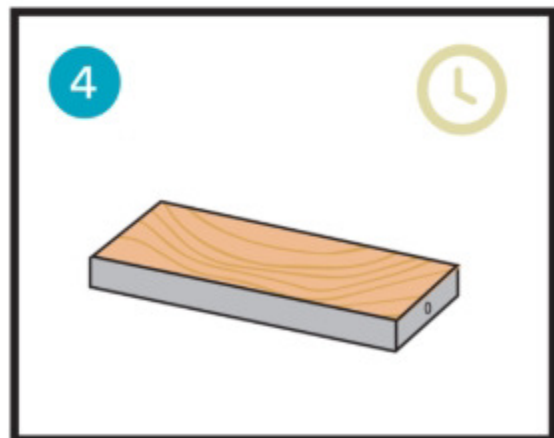
Dry fit Aria Vent body piece in opening.



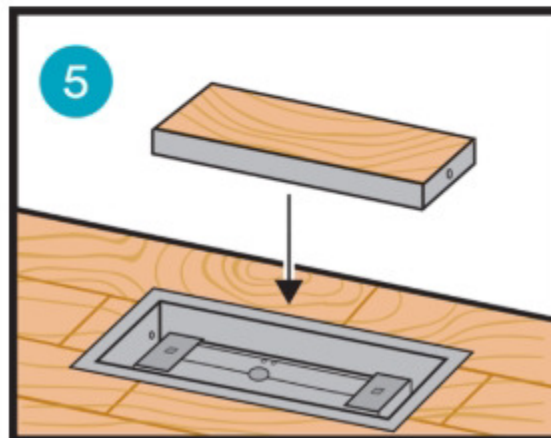
Apply adhesive bonding material in tray. Insert pre-cut flooring material.



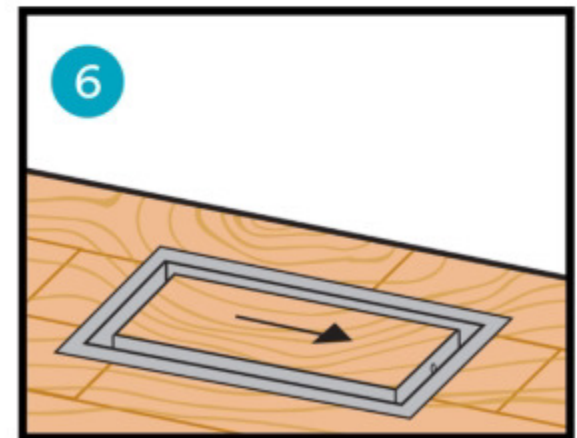
Hold in place. Flip tray upside down. Apply even pressure until flooring material lies flat with rim of the tray.



Leave bonding material to cure.



Insert tray in body.



Slide in place. Enjoy!