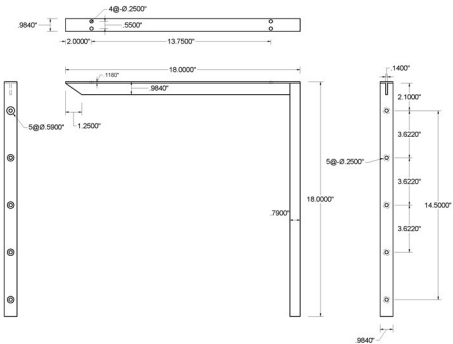
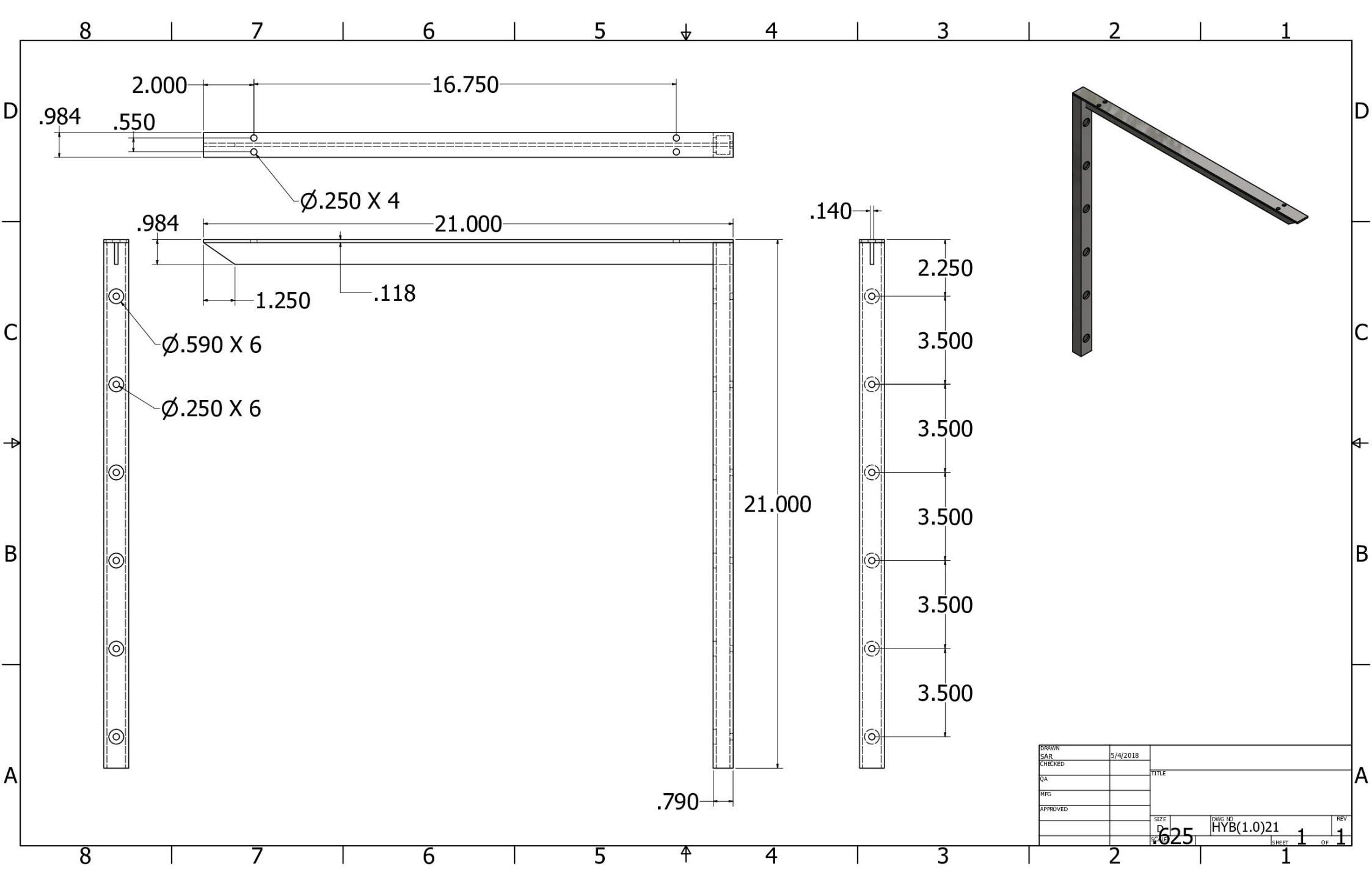


DRAWN	SAR	5/4/2018		
CHECKED			TITLE	
QA				
MFG				
APPROVED				
			SIZE D	DWG. NO. HYB(1.0)15
			SCALE .7	REV
			SHEET 1	OF 1





DRAWN	SAR	5/4/2018		
CHECKED			TITLE	
QA				
MFG				
APPROVED				
SCALE	625	DWG. NO.	HYB(1.0)21	REV
		SHEET	1	OF 1

