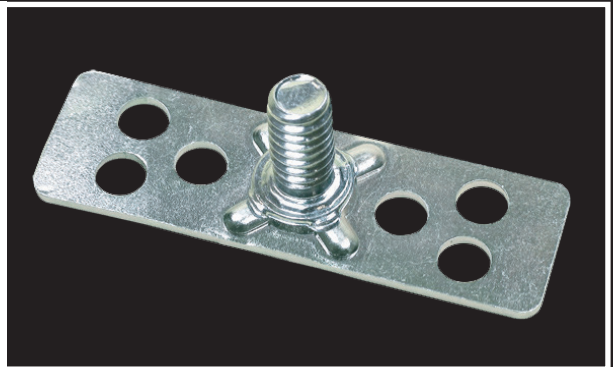






Chem-Set™

M1 Bonding Fasteners



SS	 (SS) Stainless Steel		
ST	 CZP	 TZP	 YZP

Many other plating options available including RoHS, e-coat & more

Order online at www.chemical-concepts.com or call **1.800.220.1966**

Build Your Own Chem-Set™ Bonding Fastener

Available Baseplates*

*Ask us about additional options

SB15	XB15	RB16	RB19	RB20	T22x16	RB23	T24x11.5	XB27	RB27
T28x16	SB30	SB32	RB32	RB32#4	T38x11	T38x15	T38x19	RB38	RB38-B
RB38#4	T40x10	HP44	T48x41	T50x15	SB50	RB50	T54x27	T76x38	RB76

Example Part Number: M1-RB23-1/4-20x0.750" - Male - Round Baseplate 23mm - 1/4-20 Thread x 0.750" Length

Common Threads - Inch

Thread	4-40	6-32	8-32	10-24	10-32	1/4-20	1/4-28	5/16-18	3/8-16	7/16-20	1/2-13	5/8-11
--------	------	------	------	-------	-------	--------	--------	---------	--------	---------	--------	--------

Common Thread Lengths - Inch

Thread Length	.250"	.375"	.500"	.625"	.750"	.875"	1.00"	1.25"	1.50"	2.00"	2.50"	3.00"
---------------	-------	-------	-------	-------	-------	-------	-------	-------	-------	-------	-------	-------

Common Threads - Metric

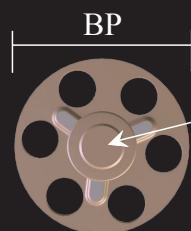
Thread	M4	M5	M6	M8	M10	M12
--------	----	----	----	----	-----	-----

Common Thread Lengths - Metric

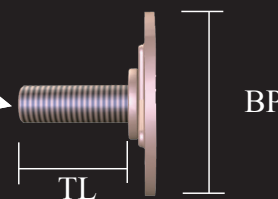
Thread Length	12mm	15mm	16mm	20mm	25mm	35mm	40mm	50mm	60mm	75mm
---------------	------	------	------	------	------	------	------	------	------	------

*Certain thread sizes are not recommended for all baseplates. Please call or visit www.rotaloc.com for more information.

Top View



Side View



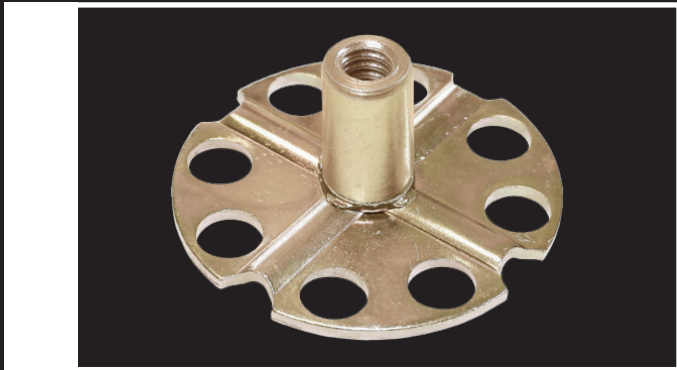
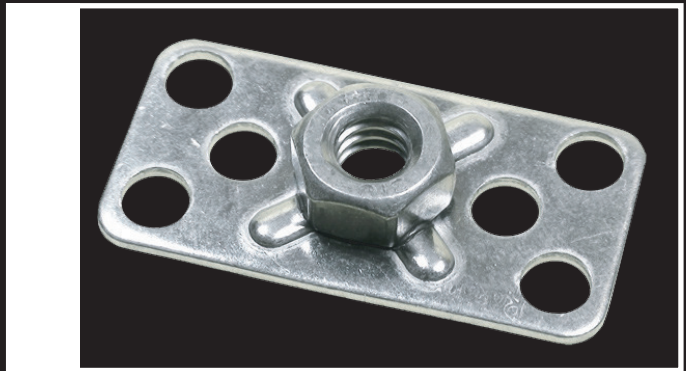
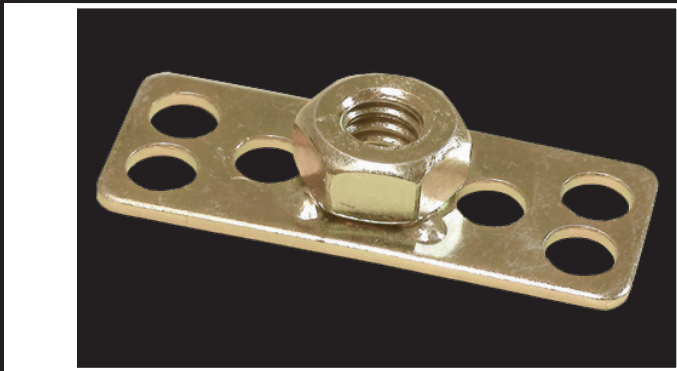
*RB23 shown to scale

BP	Thd	TL
Baseplate Size	Thread	Thread Length

Order online at www.chemical-concepts.com or call **1.800.220.1966**

Chem-Set™

F1/F2 Bonding Fasteners



SS	(SS) Stainless Steel		
ST	CZP	TZP	YZP

Many other plating options available including RoHS, e-coat & more

Order online at www.chemical-concepts.com or call **1.800.220.1966**

Build Your Own Chem-Set™ Bonding Fastener

Available Baseplates*

*Ask us about additional options

SB15 	XB15 	RB16 	RB19 	RB20 	T22x16 	RB23 	T24x11.5 	XB27 	RB27 
T28x16 	SB30 	SB32 	RB32 	RB32#4 	T38x11 	T38x15 	T38x19 	RB38 	RB38-B 
RB38#4 	T40x10 	HP44 	T48x41 	T50x15 	SB50 	RB50 	T54x27 	T76x38 	RB76 

Example Part Number: F2-RB23-1/4-20x0.750" - Female - Round Baseplate 23mm - 1/4-20 Thread x 0.750" Length

Common Threads - Inch

Thread	4-40	6-32	8-32	10-24	10-32	1/4-20	1/4-28	5/16-18	3/8-16	7/16-20	1/2-13	5/8-11
--------	------	------	------	-------	-------	--------	--------	---------	--------	---------	--------	--------

Common Lengths (F2 Only) - Inch

Lengths	.250"	.375"	.500"	.625"	.750"	.875"	1.00"	1.25"	1.50"	2.00"
---------	-------	-------	-------	-------	-------	-------	-------	-------	-------	-------

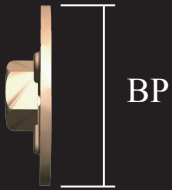
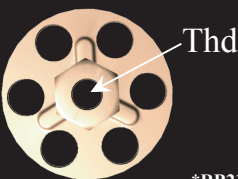

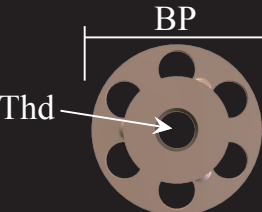
Common Threads - Metric

Thread	M4	M5	M6	M8	M10	M12
--------	----	----	----	----	-----	-----

Common Lengths (F2 Only) - Metric

Lengths	12mm	15mm	16mm	20mm	25mm	35mm	40mm	50mm
---------	------	------	------	------	------	------	------	------

*Certain thread sizes are not recommended for all baseplates. Please call or visit www.rotaloc.com for more information.

F1 Side View	F1 Top View	F2 Side View	F2 Top View
			
BP	Thd	L	BP
Baseplate Size	Thread	Length	

*RB23 shown to scale

Order online at www.chemical-concepts.com or call **1.800.220.1966**