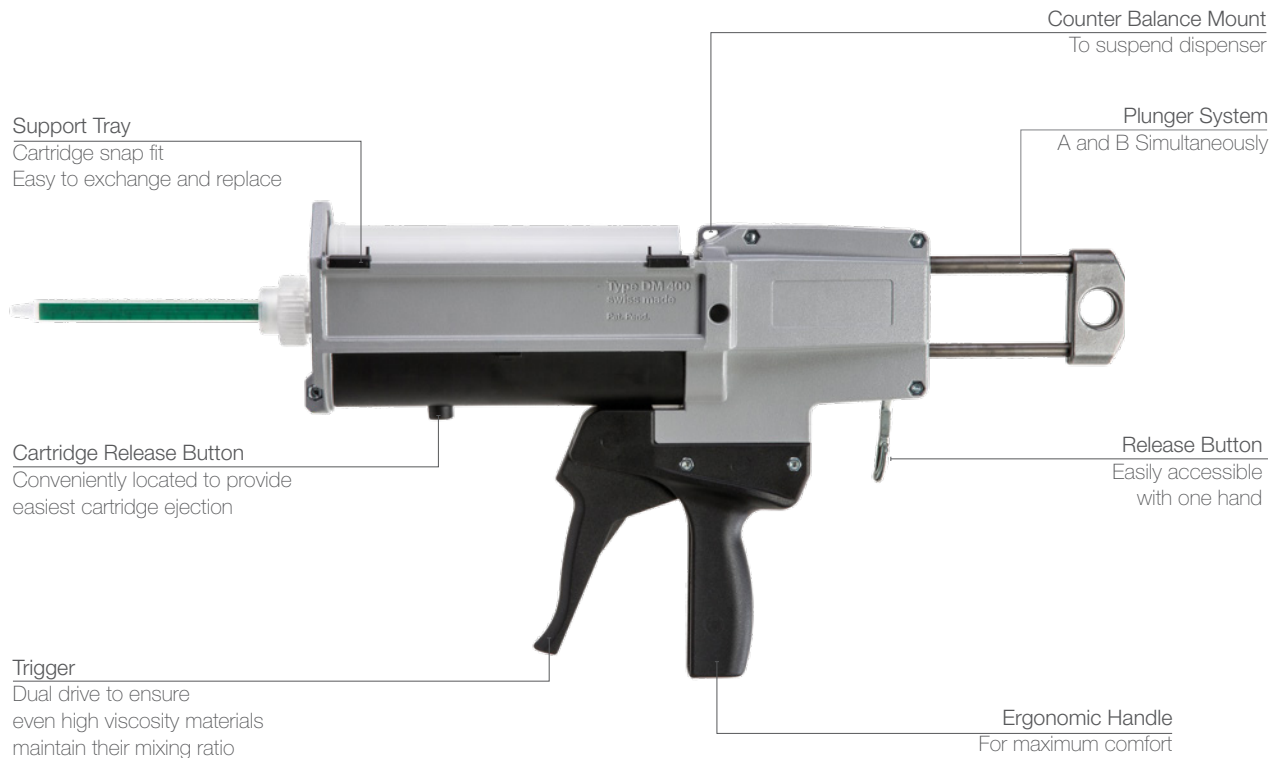




MIXPAC™ 2-Component Dispenser

MIXPAC™ DM 400

A manual dispenser for C and F-System cartridges.



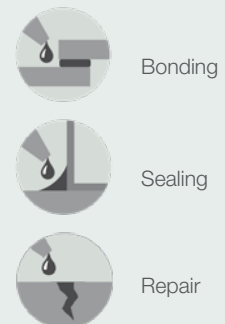
Product advantages

- Designed specifically for Mixpac C and F System Cartridges
- Cartridge snap fit
- High gear ratio
- One-hand-operation
- Long-life technology

Customer benefits

- Easy cartridge positioning and fixation
- Ergonomic
- High precision and dispensing accuracy
- Can easily be converted into all ratios with proper conversion kits.

Applications



Product by range

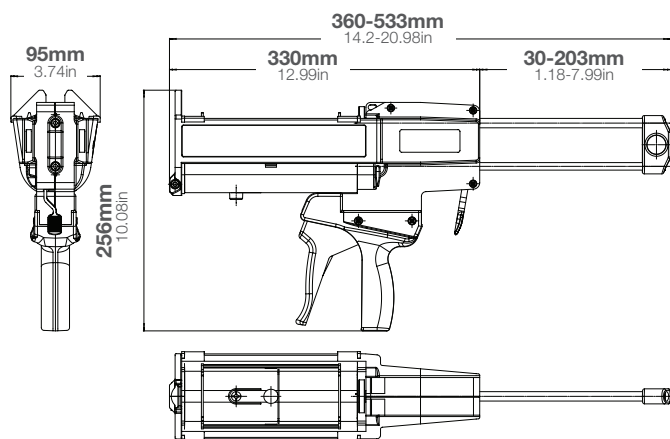


The MIXPAC™ DM 400 - designed to provide reliable 2-component dispensing.

Specifications

- Weight 1.85kg / 4.08lbs
- Length: 360mm / 14.2in
- Maximum Thrust: 6.4kN (640kg), 2.1mm stroke
- Tool material: cast aluminium and reinforced nylon
- Cartridge capacity: 400mL
- Cartridge ratio: 1:1/2:1/4:1/10:1

Dimensions

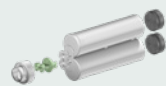


Part number:	Article number:	Ratio			
		1:1	2:1	4:1	10:1
DM 400-01	114399	✓	✓		
DM 400-04	114400			✓	
DM 400-10	114401				✓

Packaging:

Packed individually 1 units per master carton

Matching MIXPAC™ cartridges (C-System and F-System)



400mL / 1:1
PP/PA



400mL / 2:1
PP/PA

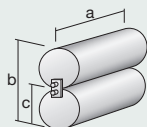


400mL / 4:1
PP/PBT

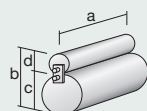


400mL / 10:1
PP/PBT

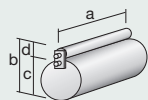
Other matching cartridges



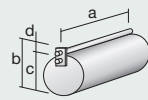
1:1	mm	inch
a	185	7.28
b	93	3.66
c	Ø 45	Ø 1.77



2:1	mm	inch
a	185	7.28
b	96	3.78
c	Ø 52	Ø 2.05
d	Ø 37	Ø 1.46



4:1	mm	inch
a	185	7.28
b	91	3.58
c	Ø 58	Ø 2.28
d	Ø 30	Ø 1.18



10:1	mm	inch
a	185	7.28
b	94	3.70
c	Ø 66	Ø 2.60
d	Ø 24	Ø 0.94

Conversion kits

CK 400-01, CK 400-04, CK 400-10, See page 18.

Matching accessories

All accessories are displayed on page 18.