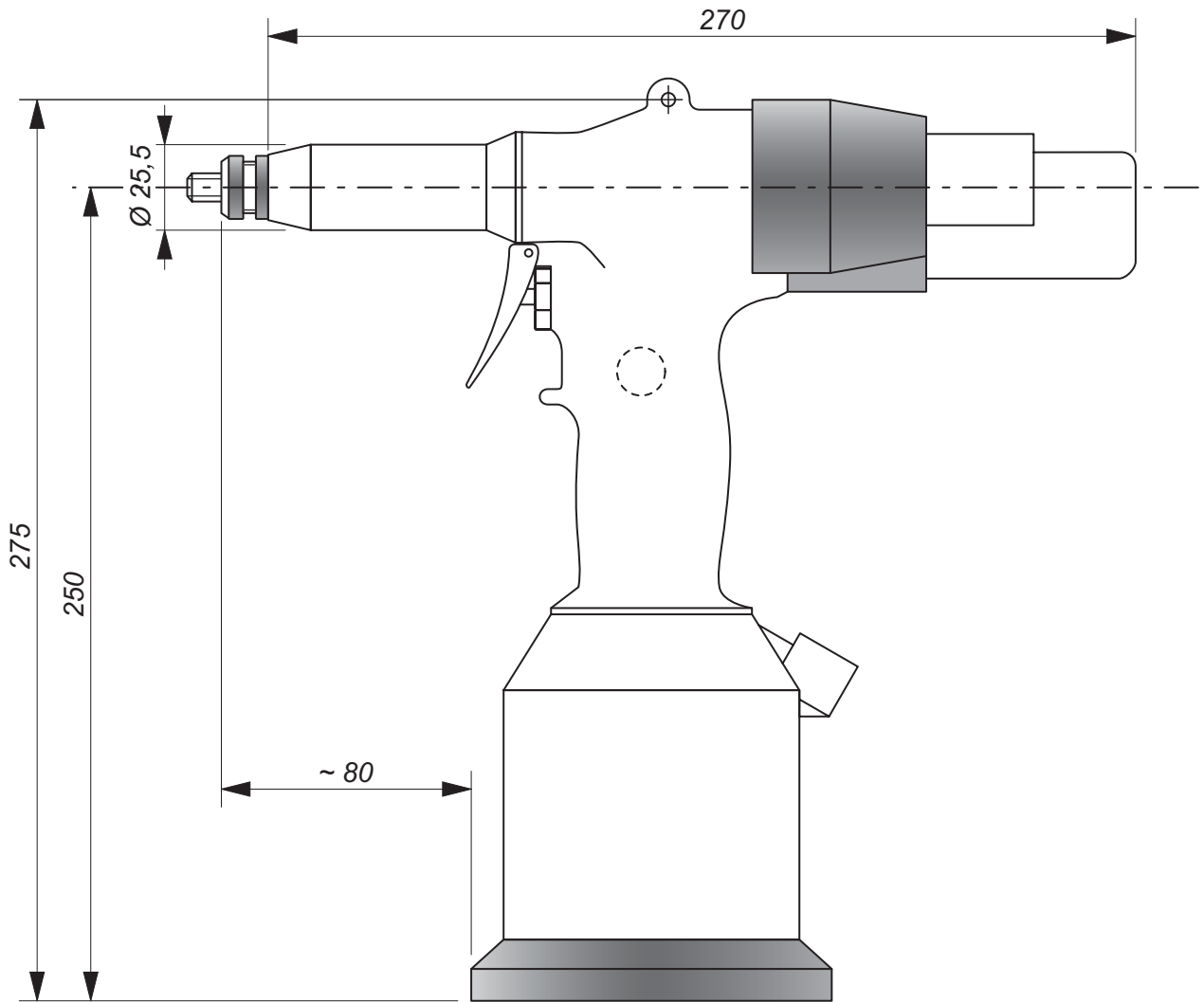


OLEO-PNEUMATIC TOOL MOD. A22 / 2000

For threaded inserts M3 to M10



TECHNICAL DATA

| | |
|----------------------|---------------------------|
| Weight: | ~ 2,3 Kg |
| Pressure: | 6,5 bar MAX |
| Speed: | 2.000 rpm |
| Air pipe dimensions: | int. Ø 8 mm. x 3 m length |
| Air consumption: | ~ 3,3 l/s |
| Stroke: | 0 ÷ 6 mm |
| Pull force: | 20.500 N (at 6 bar) |

Non binding dimensions, expressed in mm.