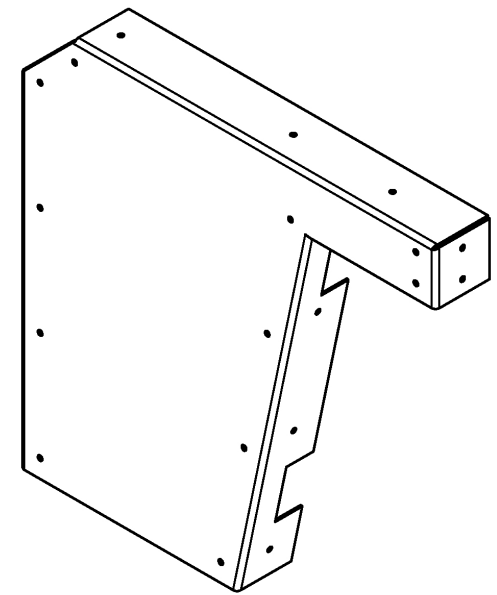
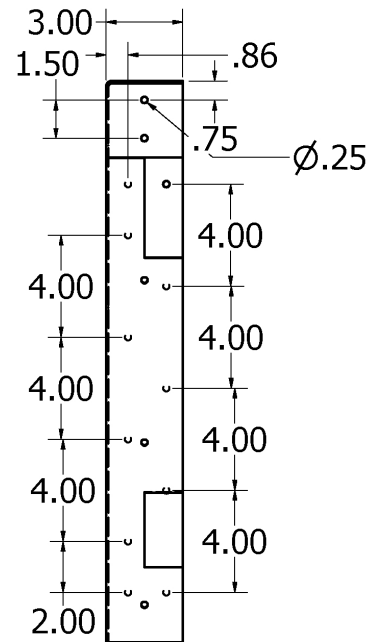
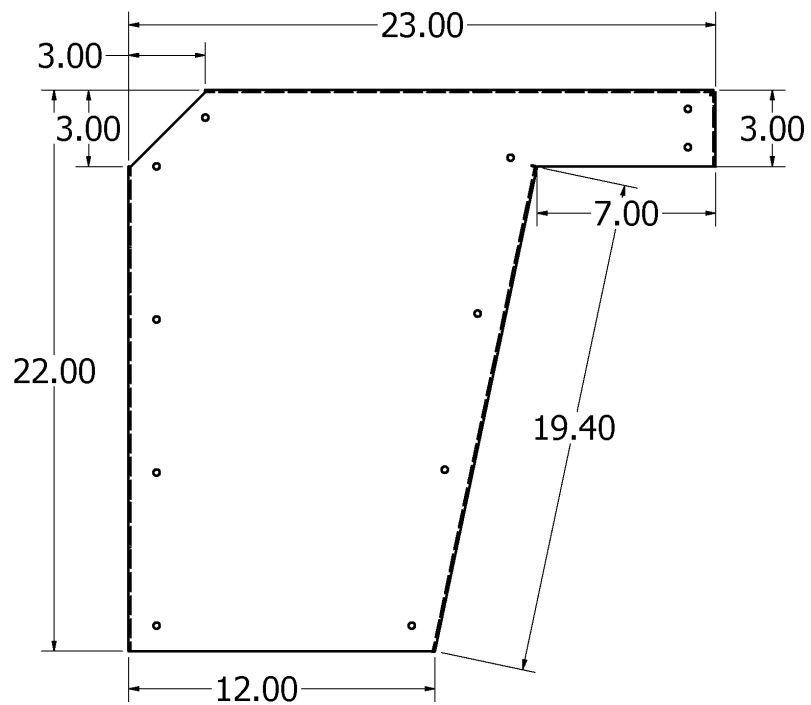
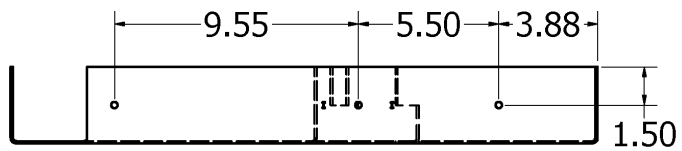


DRAWN	SAR	9/15/2017	TITLE	
CHECKED			ADA Tilt Front (Import)	
QA			12ga Steel	
MFG				
APPROVED			SIZE	DWG NO
			D	ADA-TILT-FRONT-IMPORT
			SCALE	REV
				SHEET 1 OF 1



DRAWN	SAR	10/14/2015		
CHECKED				
QA			TITLE	
MFG			ADA TILT FRONT EXTENDED	
APPROVED			12 GA	
			SIZE	DWG NO
			C	ADA-TILT-FRONT-EXTENDED-DRAWING
			SCALE	REV
				1
			SHEET 1 OF 1	