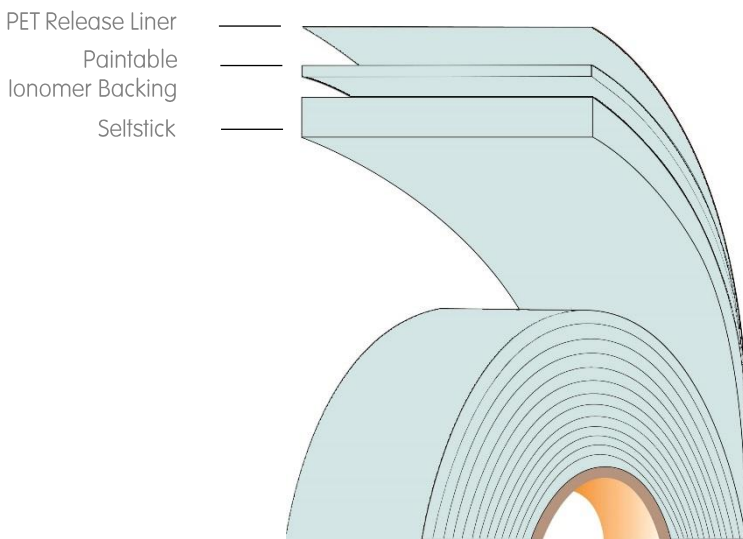


Chem-Set 3620T

Chem-Set™ extreme sealing tape is a single sided high performance acrylic based adhesive tape. This conformable tape is especially designed for difficult sealing applications. The ionomer backing on this extreme sealing tape is very tough, flexible, abrasion resistant and paintable. This single-sided tape is neutral translucent and especially designed to seal an existing joint or seam. The adhesive has been designed so that overlapping tape joints can be made while maintaining a strong seal. In combination with a primer this tape guarantees excellent adhesion performance even on low surface energy substrates.



Thickness:	2.0 mm (0.080inch) ±10%
Core:	Closed cell acrylic
Adhesive:	Closed cell acrylic
Density:	900 kg/m ³ (lb/ft ³)
Color:	Transparent
Liner:	PET Release Liner
Temperature Resistance:	
Minimum	-40°C (-40°F)
Maximum	95°C (°F)

90° Peel Adhesion (Based on ASTM D-3330; various substrates, 72 hour room temp with AFTC SilverTape AM1008HC to attach aluminum peel strip backing; adhesion promoter or primer used on substrates)	N/10mm (lb/in)	128 (12)	ASTM D3330
Tensile Strength	kPa (lb/in ²)	620 / 90	ASTM D3759

Suitable for:

- The tape is and remains soft and flexible, making it easy to mold to contours, edges, rivets, screws used for motorhome leaks, roof and gutter holes/tears, and the transportation industry.

Available sizes:

- jumbo: 900mm x 165 m (76,2mm core)
- log: 900mm x 16.5 / 33m (76,2mm core)
- slit roll: 4 – 250mm x 16.5/33m (76,2mm core)
- spool roll: 5 – 25mm x max 1000 m (152,4mm core)

The best ideas are **the ones that stick**

