

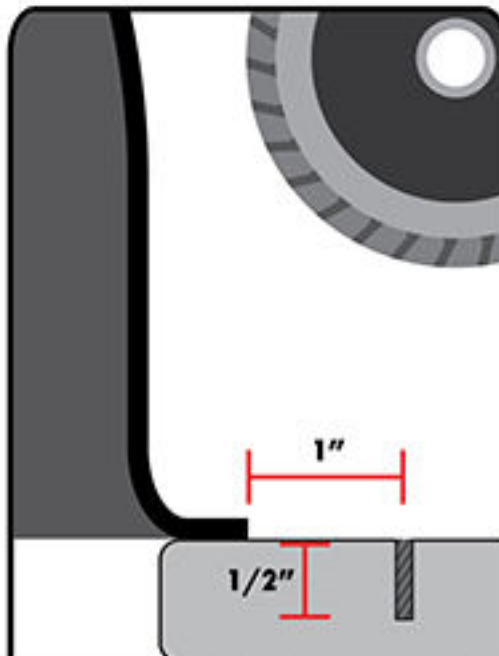
# Sinkits Slot-Klips - Undermount Sink Installation Instructions



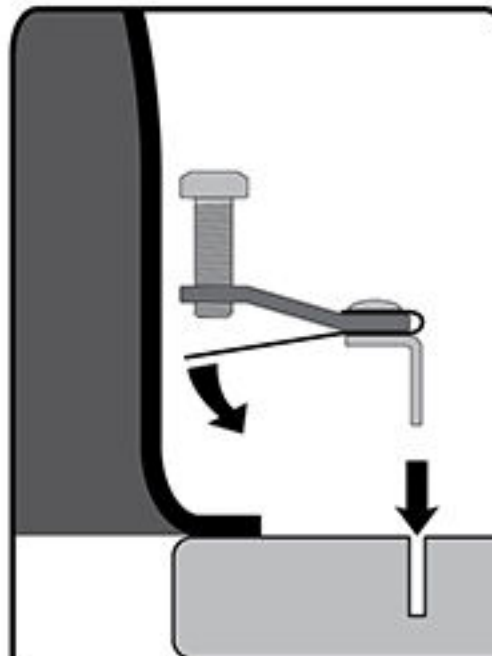
**SAVE TIME AND MONEY!**

Learn about all our products and watch installation videos at:

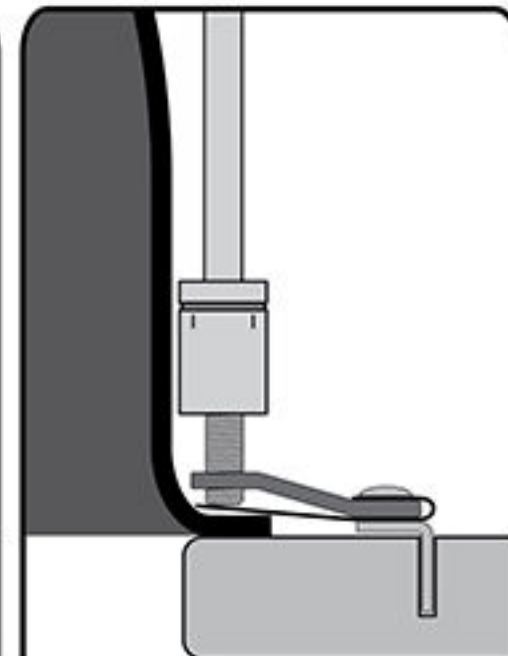
[www.sinkits.com](http://www.sinkits.com)



**Step 1:** Mark the locations to be slotted approximately 1" from the edge of sink rim. Using an appropriate blade, cut a slot to the depth of 1/2".



**Step 2:** Pre-load the binding tab by bending it away from the Slot-Klip body and fully insert the anchor post into the hole.



**Step 3:** Tighten the top bolt against the sink rim taking care not to over-tighten.

Please note: The countertop is shown upside down in these installation directions, but sinks can be mounted from underneath as well.