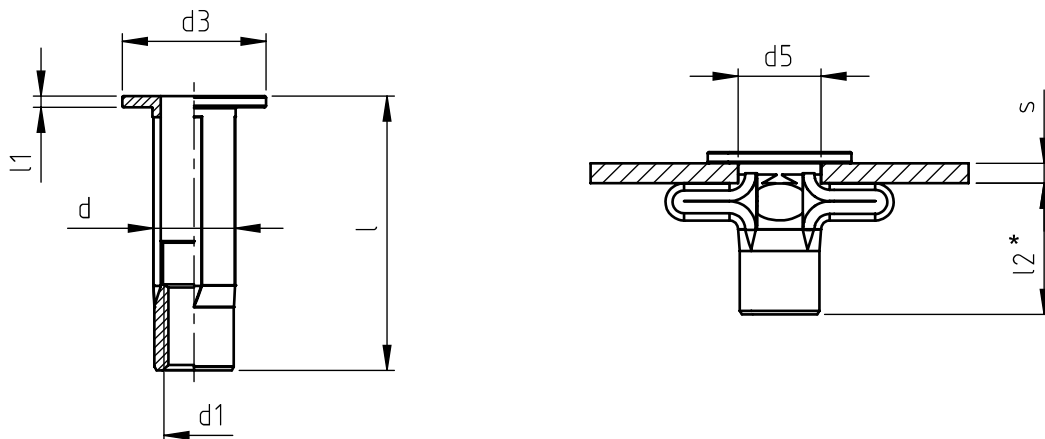


Application: metal and not metal sheet.  
Assembly: with special hand or pneumatic tools.



code	s grip	l +0,5 -0,5	d1	d3 max	l1	d	d5 0 +0,15	l2*
TC/INT M 5/8S	0,5 ÷ 4,5	22,0	M 5	13	1	7,5	7,5	10
TC/INT/L M 5/8S	4,5 ÷ 8,0	25,0						
TC/INT M 6/8S	0,5 ÷ 7,0	27,0	M 6	16,5	1,5	8,8	8,8	12,8
TC/INT/L M 6/8S	7,0 ÷ 12,5	33,0						
TC/INT M 8/8S	0,5 ÷ 7,0	30,5	M 8	19,6	1,6	11,1	11,1	14,5
TC/INT/L M 8/8S	7,0 ÷ 12,5	36,5						

Non binding dimensions, expressed in mm.

\* Dimension determined from the average of the grip "s" min and max values.

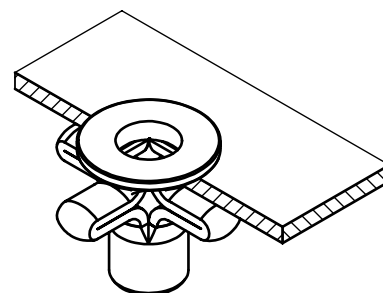
Standard
  On demand
  Not manufactured

Material: steel  
 Finishing: white zinc-plated  
 Threading: metric  
 Example: threaded rivet nut,  
 grip 4,0 mm, steel,  
 M6 thread:



chemical-concepts.com  
**800.220.1966**

410 Pike Road • Huntingdon Valley, PA 19006



TC/INT M6/8S