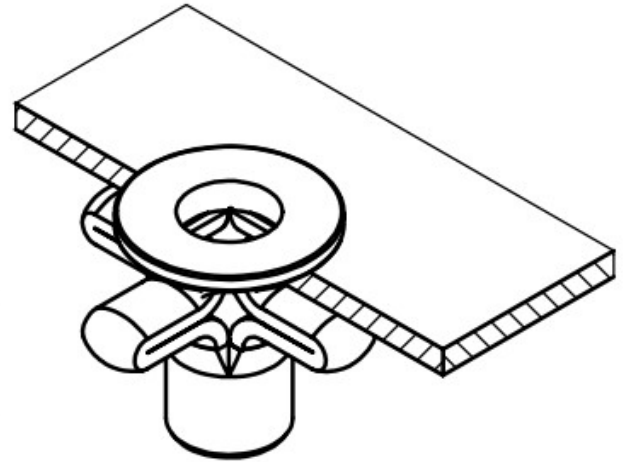




# CROSS NUT

## Threaded Rivet Nuts



SKU: SPE-TC/INT

**Specialinsert Deform-Nut TC/INT Pre-bulbed Cross Nuts** are a fast and effective way to install threads in blind holes. The Deform-Nut TC/INT provides superior pullout resistance in plastic materials and thin sheet metal. When installed, the body of the cross nut collapses on the back (blind) side, creating an extended flange that creates a sturdy, reliable grip on the inside of the mounting surface.

- Description:** Threaded rivet nuts for low resistance material
- Application:** Metal and not metal sheet
- Assembly:** With special hand rivet tool, battery, or pneumatic tools

Part Number	Material	d1 Thread Sizes	s Skin Thickness	l +0.5 -0.5	d3	l1	d	d5 0 +0.15	l2*
SPE-TC/INTP___/70	Aluminum	10-24 1/4-20 3/8-16	0.5 - 7.0 mm (0.019 - 0.276")	27.0 mm (1.063")	16.5 mm (0.65")	1.5 mm (0.059")	8.8 mm (0.346")	8.8 mm (0.346")	12.8 mm (0.504")
SPE-TC/INTP___/XS	Stainless Steel								
SPE-TC/INTP___/8S	Zinc Plated Steel								



Available in **Z<sup>TC</sup>** Plated Steel or Stainless Steel

