

# PERFORMANCE GUIDE

## IB4432-72 White Carrier - Double Coated Tape

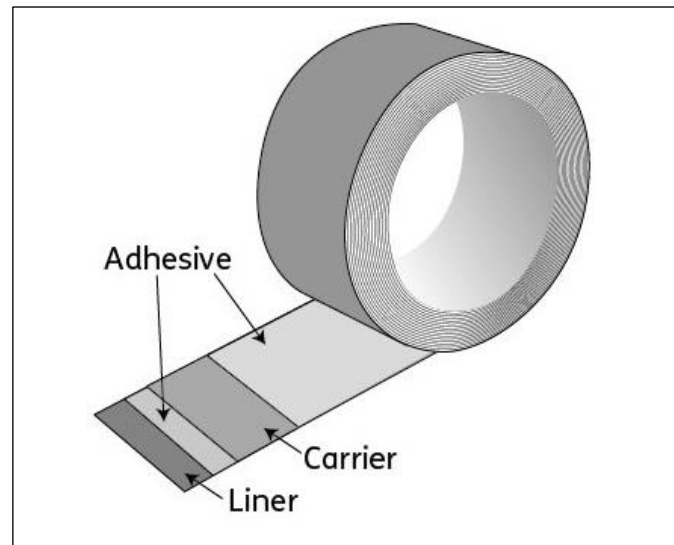
Version: 1  
Date: 3/2020  
Approved by: JNP

### Product Description

IB4432-72 consists of a 2.6 mil white polypropylene carrier coated on both sides with 2.4 mils of high-tack, acrylic pressure sensitive adhesive. The adhesive is protected by a two-side silicone coated 72# polycoated Kraft liner. This product is designed for general purpose applications that require high initial tack to a wide variety of substrates.

### Product Construction

- **Carrier:** 2.6 mil White PP
- **Adhesive:** 2.4 mils MP410 High Tack Acrylic
- **Liner:** 72# Bleached PCK
- **Web Width:** 54"



### Features

- High tack, acrylic adhesive
- White Opaque Carrier
- Good shear properties
- Moisture stable PCK liner

### Benefits

- High initial tack and adhesion
- Excellent adhesion to a wide variety of substrates
- Performs well on rough or uneven surfaces
- Clear adhesive
- Solvent & UV resistant
- Excellent handling and die-cutting.
- White Carrier eliminates need for white ink.

### Applications

- General purpose mounting & bonding applications
- Foam bonding applications
- Felt and Fabric Bonding applications
- Photograph and Image Mounting.
- Graphic Sign printing & assembly

IB4432-72 Physical Properties			
Thickness	Mils Liner/Unwind		
Adhesive	2.4/2.4		
Carrier	2.6		
Liner	5.3		
Total Thickness	12.7		
<b>Adhesive pH</b>	<b>ISO 18902</b>	<b>7.0</b>	
<b>Performance Test</b>	<b>Test Method</b>	<b>Typical Values</b>	
<b>Loop tack</b>	<b>PSTC-16</b>	<b>Lbs./in.</b>	<b>Oz/in.</b>
Stainless Steel	Backed with 2 mil PET	10.3	165
<b>Peel Adhesion 2 mil PET Backed</b>	<b>PSTC-101-Method A</b>	<b>Lbs./in. (Unwind/Liner)</b>	<b>Oz/in. (Unwind/Liner)</b>
Stainless Steel	Backed with 2 mil PET	11.9/15.3	190/245
Polycarbonate		9.68	155
Acrylic		9.01	144
Low VOC Acrylic Paint		6.95	111
<b>Shear</b>	<b>PSTC-107</b>	<b>Hours to Fail</b>	
1 kg weight	72°F	50+	

Values given are typical and not for use in specifications



chemical-concepts.com  
**800.220.1966**  
 410 Pike Road • Huntingdon Valley, PA 19006

#### SERVICE TEMPERATURE

Application: Above 50°F (10°C) for best performance  
 End Use: -40°F to 250°F (-40°C to 121°C)

#### APPLICATION DETAILS

For best performance surfaces must be clean, dry and free of any oil, grease or other contaminant.

#### SHELF LIFE

Two year shelf life when stored at 75°F. (24°C.) and 50% relative humidity or less. It is recommended that the product be stored in its original package until ready to use.

CALL **1-800-328-2619** for additional product information

**IMPORTANT NOTICE:** The information given and recommendations made herein are based on our research and are believed to be accurate. In every case, user shall determine before using any product in full scale production, whether such product is suitable for their particular purpose under their own operating conditions. User assumes all risk and liability whatsoever in connection with their use of any product. The products discussed herein are sold without any warranty as to merchantability or any other warranty, expressed or implied. No representative of ours has any authority to waive or change the foregoing provisions unless in a specific agreement signed by the officers of seller and manufacturer. Ultimately, sellers and manufacturers only obligation shall be to replace or credit such quantity of the product proved to be defective at its discretion.

™ Trademark of Morgan Adhesives Company LLC  
 ® Registered Trademark of Morgan Adhesives Company LLC  
 www.Mactac.com

