

# PERFORMANCE GUIDE

## macmount XT™ IM1900XTW60 Double Coated Foam Tape

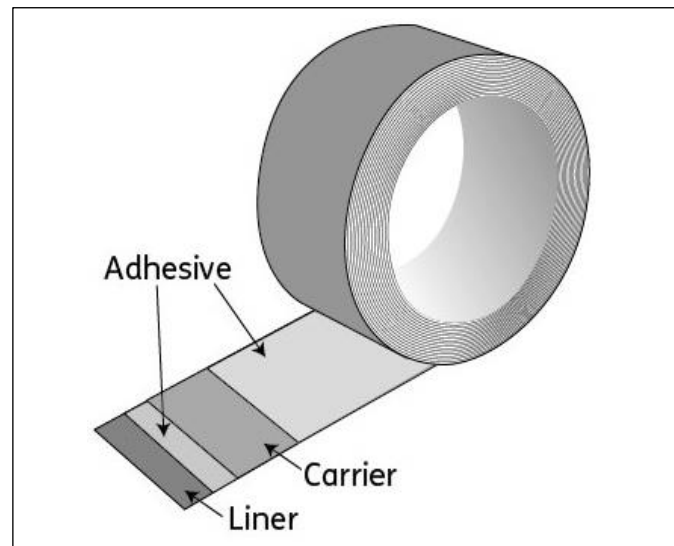
Version: 3  
Date: 10/2022  
Approved by: JNP

### Product Description

IM1900XTW60 consists of a 1/32" white, 5# closed-cell cross-linked (XLPE) polyethylene foam carrier coated on both sides with 1.8 mils of aggressive rubber-based pressure sensitive adhesive. The adhesive is protected by a two-side silicone coated 83# white SCK liner.

### Product Construction

- **Carrier:** 1/32" 5# white XLPE foam
- **Adhesive:** 1.8 mils XT Rubber
- **Liner:** 83# White SCK
- **Web Width:** 60"



### Features

- Aggressive rubber based adhesive.
- 1/32" Foam Carrier
- 83# White SCK.

### Benefits

- XT Rubber adhesive performs well on a variety of surfaces.
- Excellent LSE performance
- Superior shear strength
- Foam carrier allows for maximum conformability
- Dimensionally stable liner is ideal for die cutting and handling.

### Applications

- General purpose mounting & bonding applications
- Insulation bonding.
- Foam Mounting
- Screw Anchors
- Mirror Mounting
- P-O-P Displays

IM1900XTW60 Physical Properties			
Thickness	Mils Liner/Unwind	MM Liner/Unwind	Microns Liner/Unwind
Adhesive	1.8/1.8	.0457/.0457	45.7/45.7
Carrier	31.25	.7940	794
Liner	4.4	.1118	111.8
Total Thickness	39.25	0.997	997
Performance Test	Test Method	Typical Values	
Loop tack	PSTC-16-Method A	Lbs./in. Liner/Unwind	Oz/in. Liner/Unwind
Stainless Steel	Backed with 2 mil PET	8.9/15.1	142/242
Peel Adhesion 1 mil PET Backed	PSTC-101-Method A	Lbs./in. Liner/Unwind	Oz/in. Liner/Unwind
30 minute dwell	Stainless Steel	8.7/11.4	139/182
Shear	PSTC-107-Method A	Hours to Fail	
1 kg weight	72°F	500+	
5 Lbs weight	72°F	200+	
Tensile	ASTM-D882	Lbs./in.	
MD/CD		213/146	
Elongation	ASTM-D882	%	
MD/CD		355/328	

Values given are typical and not for use in specifications



chemical-concepts.com

**800.220.1966**

410 Pike Road • Huntingdon Valley, PA 19006

#### SERVICE TEMPERATURE

Application: Above 50°F (10°C) for best performance  
End Use: -0°F to 180°F (-18°C to 82°C)

#### CHEMICAL RESISTANCE

Resistant to water, detergent and alcohol. Not recommended for use in contact with aliphatic or aromatic hydrocarbons.

#### APPLICATION DETAILS

For best performance surfaces must be clean, dry and free of any oil, grease or other contaminant.

#### SHELF LIFE

Two year shelf life when stored at 75°F. (24°C.) and 50% relative humidity or less. It is recommended that the product be stored in its original package until ready to use.

CALL **1-800-328-2619** for additional product information

**IMPORTANT NOTICE:** The information given and recommendations made herein are based on our research and are believed to be accurate. In every case, user shall determine before using any product in full scale production, whether such product is suitable for their particular purpose under their own operating conditions. User assumes all risk and liability whatsoever in connection with their use of any product. The products discussed herein are sold without any warranty as to merchantability or any other warranty, expressed or implied. No representative of ours has any authority to waive or change the foregoing provisions unless in a specific agreement signed by the officers of seller and manufacturer. Ultimately, sellers and manufacturers only obligation shall be to replace or credit such quantity of the product proved to be defective at its discretion.

™ Trademark of Morgan Adhesives Company LLC  
® Registered Trademark of Morgan Adhesives Company LLC  
www.Mactac.com

